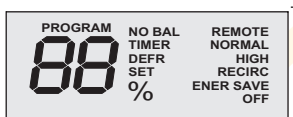
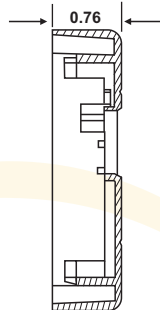


## Wall Control

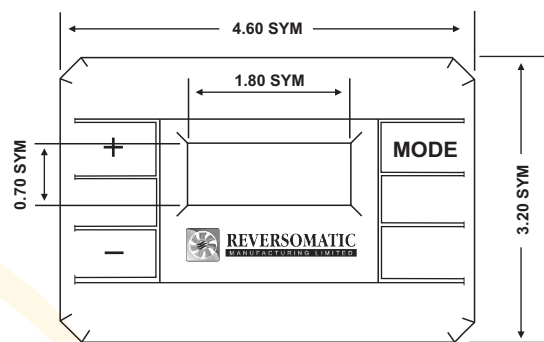
### Model - WC100 (For Deluxe Series only)



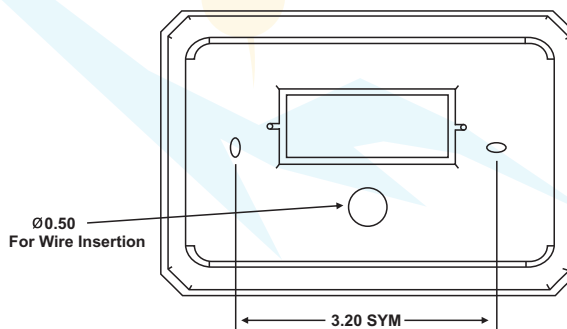
All Available LCD display electrodes



SIDE VIEW



FRONT VIEW



BACK VIEW

#### Note

For Programming refer to installation instructions.

#### Special Features

- Programmable LCD display
- Pushbutton Design
- Easy to mount and operate
- Self powered (no battery required), 5VDC
- OFF/Normal/High/recirculation Energy Saving mode
- Humidity and Error indicator
- Defrost and humidity settings (up to 80% RH)
- Multiple wall-controls option
- Manual/Automatic balancing

Normally there will be only one Wall Control Unit connected to Control Board. Multi Wall Control Unit (up to three) is also supported. All Wall Control Units will have the same priorities over each other. It means that if multiple Wall Control Unit command Control Board differently, the latest command will be executed by the Control Board. Each Wall Control Unit has different address for communication purpose. The addresses for Wall Control Units will be A1, A2, and A3. The addresses can be set by entering into programming mode.

Contractor:	<b>WALL CONTROL (WC 100)</b>		
Architect:	Date:	Supersedes	Drawing No.
Engineer:			