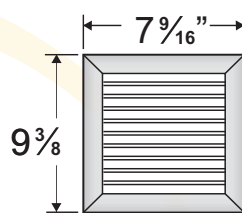
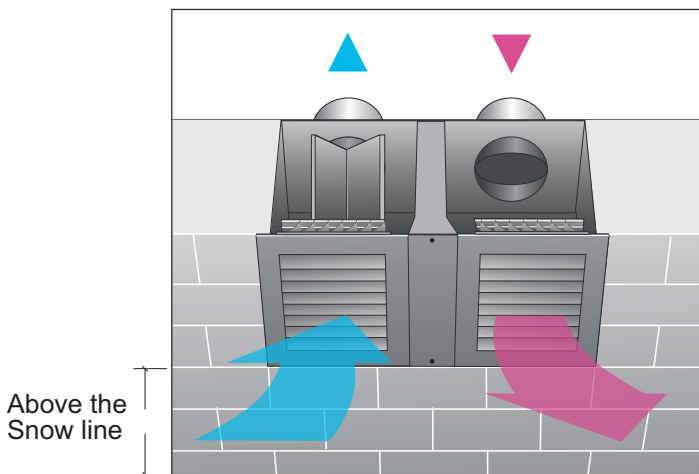
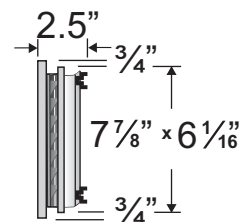


## HRV/ERV INTAKE AND EXHAUST VENTS

### Double Vent (DVG-200) c/w extruded aluminum grilles



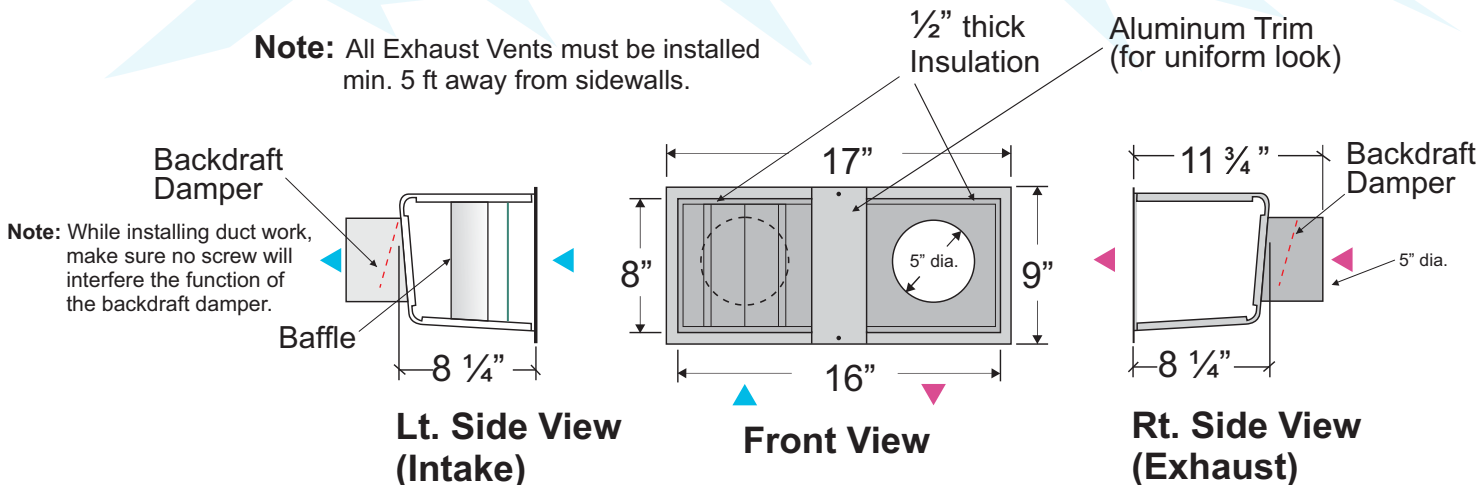
Front View



Side View

**Tested @ 400Pa according to ASTM E547-00 for water penetration test.**  
**Re-circulation Efficiency - 98% at 100 CFM.**  
**(Tested @ 5 - 10mph wind velocity with Reversomatic Extruded Aluminum Grille) 50% free area.**

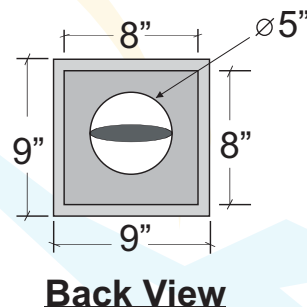
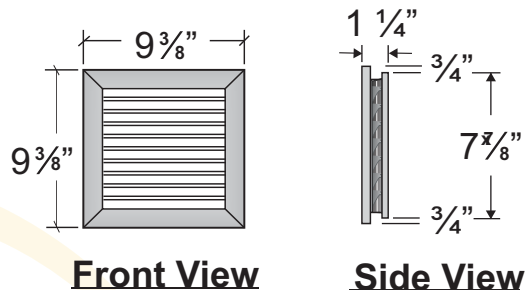
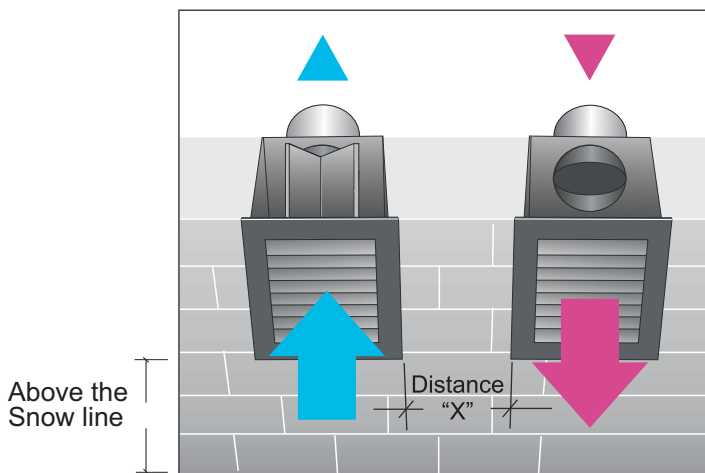
**Note:** All Exhaust Vents must be installed min. 5 ft away from sidewalls.



Contractor:		Double Vent (DVG-200)		
Architect:	Job:	Date	Supersedes	Drawing No.
Engineer:	Date Submitted:	01/16/19		

## HRV/ERV INTAKE AND EXHAUST VENTS

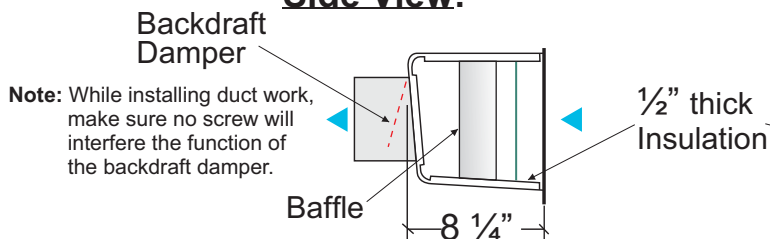
### Exhaust (SVE-50) & Intake (SVI-50) Single Vents c/w extruded aluminum grilles



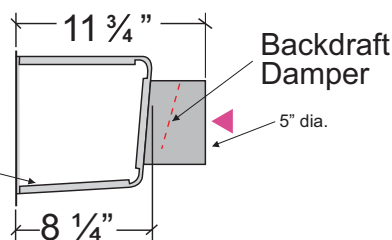
**Tested @ 400Pa according to ASTM E547-00 for water penetration test.**  
**Re-circulation Efficiency If distance "X" is 5ft - 97.5% "X" is 3ft - 95% at 100 CFM.**  
**(Tested @ 5-10 mph wind velocity with Reversomatic Extruded Aluminum Grille)**

#### Intake Vent (SVI-50)

##### Side View:



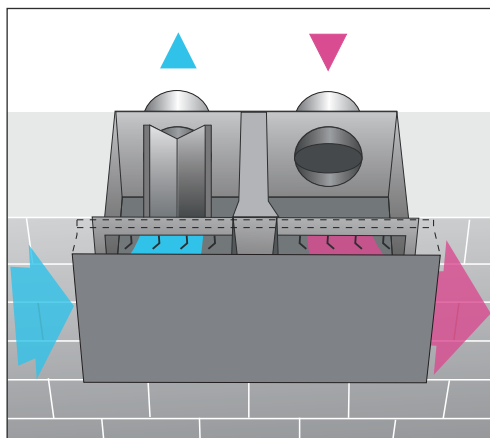
#### Exhaust Vent (SVE-50)



Contractor:		SVE-50 and SVI-50		
Architect:	Job:	Date	Supersedes	Drawing No.
Engineer:	Date Submitted:	01/16/19		

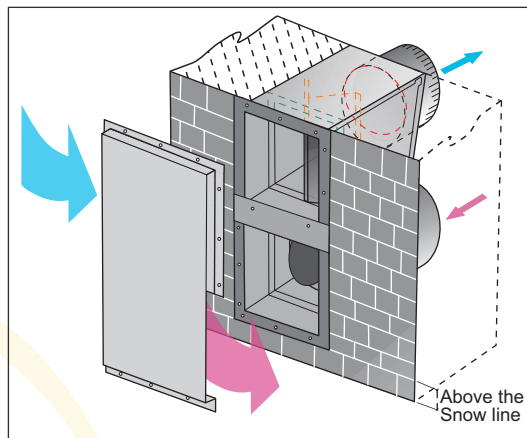
## HRV/ERV INTAKE AND EXHAUST VENTS

**Double vent (DVS-100) c/w  
Side Exhaust / Intake hood**



Above the  
Snow line

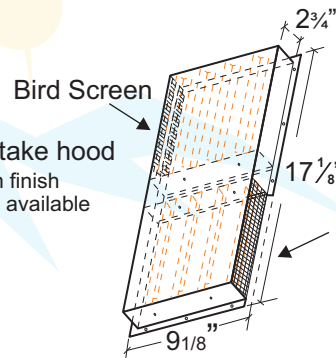
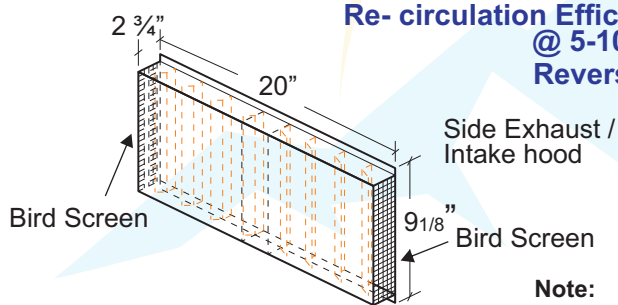
**Double vent (DVV-100) c/w  
Vertical Exhaust / Intake hood**



Above the  
Snow line

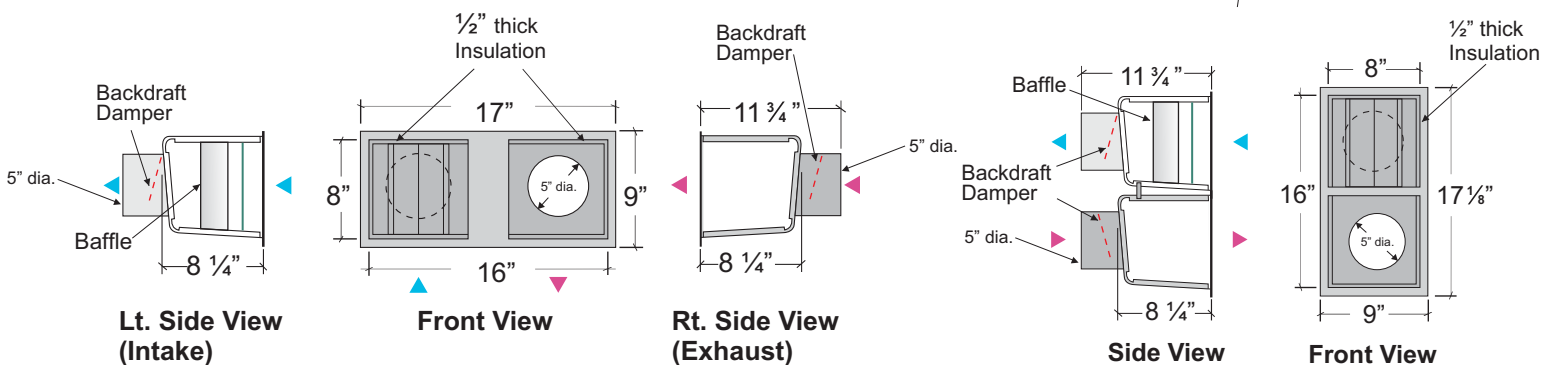
**Tested @ 400Pa according to ASTM E547-00 for water penetration test.**

**Re-circulation Efficiency - 96.5% at 100 CFM.  
@ 5-10 mph wind velocity with  
Reversomatic hood as shown.**



Exhaust / Intake hood  
Plain Aluminum finish  
(Custom colors available  
upon request)

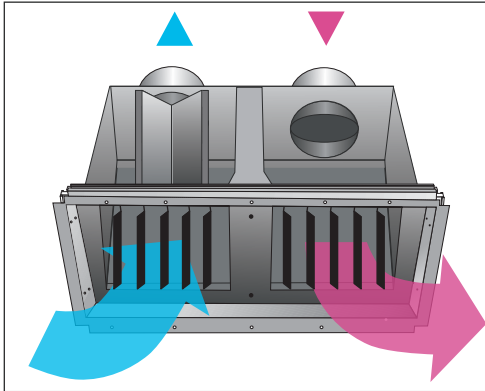
**Note:**  
While installing duct work, make sure no screw  
will interfere the function of the backdraft damper.



**Note:** All Exhaust Vents must be installed min. 5 ft away from sidewalls.

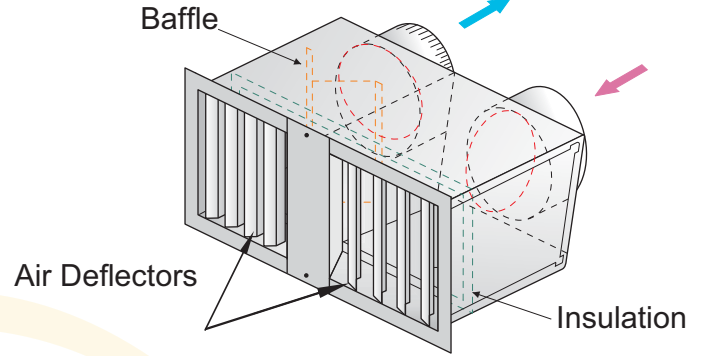
Contractor:		Double Vent (DVS / DVV-100)		
Architect:	Job:	Date	Supersedes	Drawing No.
Engineer:	Date Submitted:	01/16/19		

## HRV/ERV INTAKE AND EXHAUST VENTS

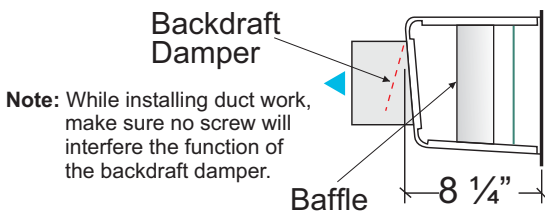
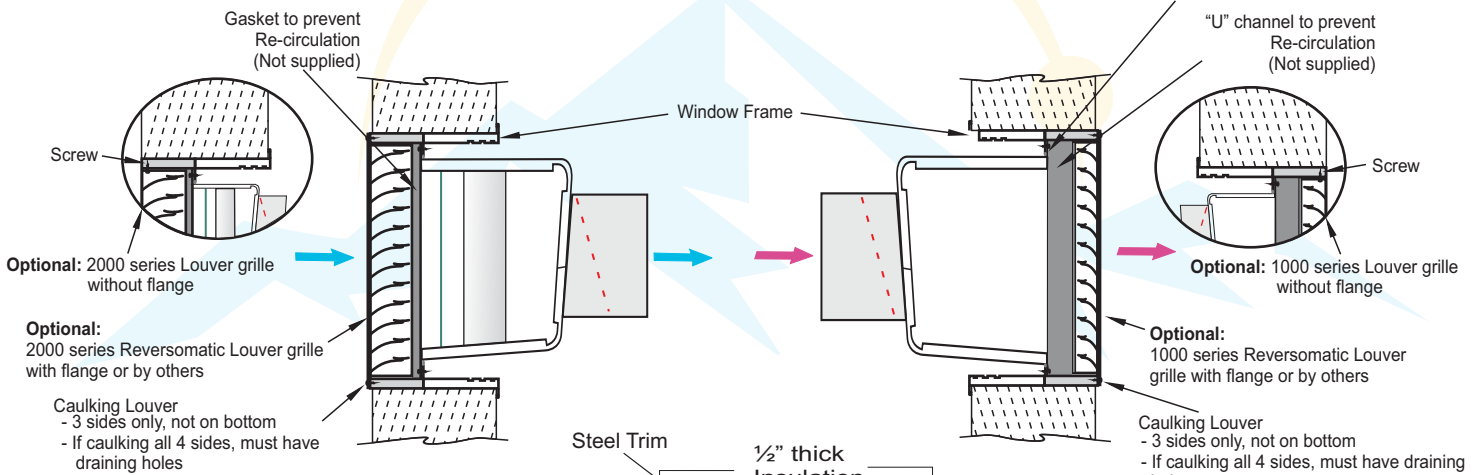


**Tested @ 400Pa according to ASTM E547-00 for water penetration test.**  
**Re-circulation Efficiency - 98.5% at 100 CFM.**  
**(Tested with Reversomatic louver grille @ 5-10 mph wind velocity) 50% free area.**

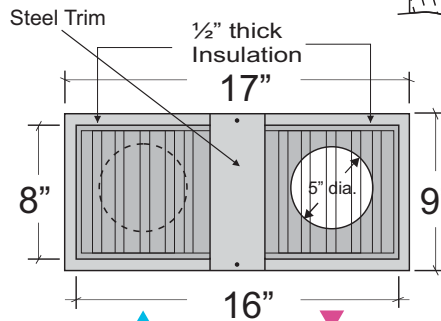
### Double Vent (DV-200) For Window Panel



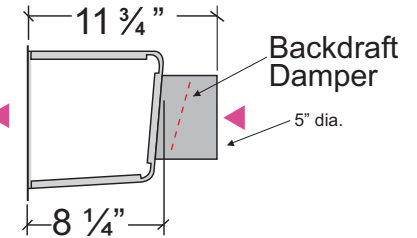
**Note:** All Exhaust Vents must be installed min. 5 ft away from sidewalls.



**Lt. Side View  
(Intake)**



**Front View**



**Rt. Side View  
(Exhaust)**

Contractor:		Double Vent (DV-200)		
Architect:	Job:	Date	Supersedes	Drawing No.
Engineer:	Date Submitted:	01/16/19		