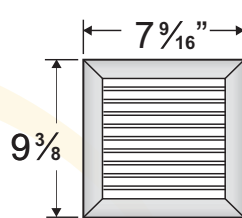
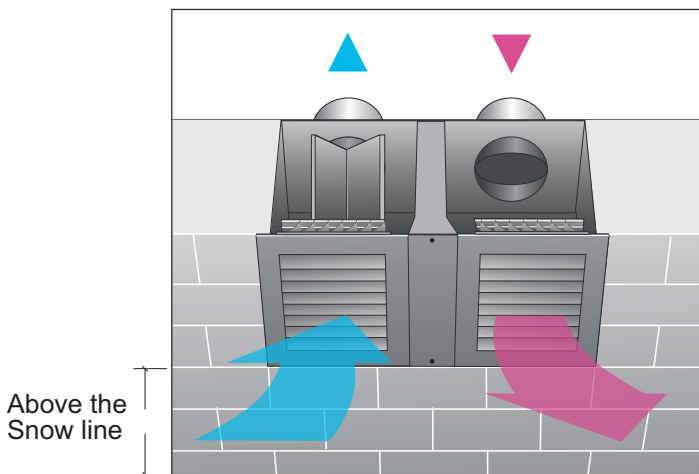
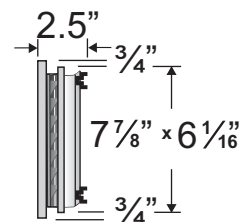


HRV/ERV INTAKE AND EXHAUST VENTS

Double Vent (DVG-200) c/w extruded aluminum grilles



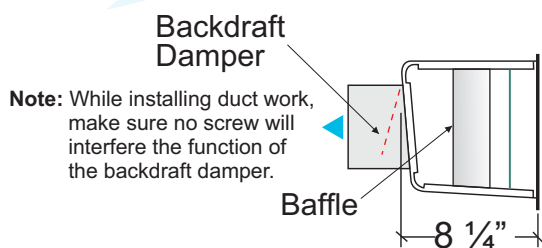
Front View



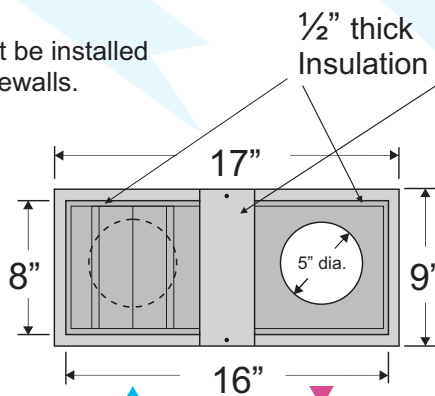
Side View

Tested @ 400Pa according to ASTM E547-00 for water penetration test.
Re-circulation Efficiency - 98% at 100 CFM.
(Tested @ 5 - 10mph wind velocity with Reversomatic Extruded Aluminum Grille) 50% free area.

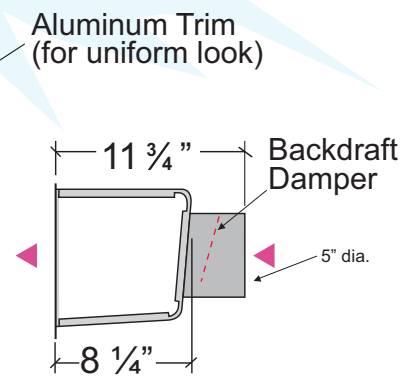
Note: All Exhaust Vents must be installed min. 5 ft away from sidewalls.



Lt. Side View (Intake)



Front View

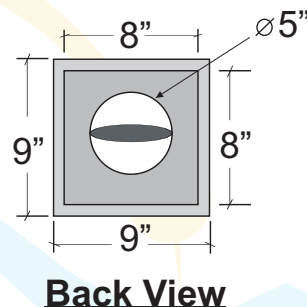
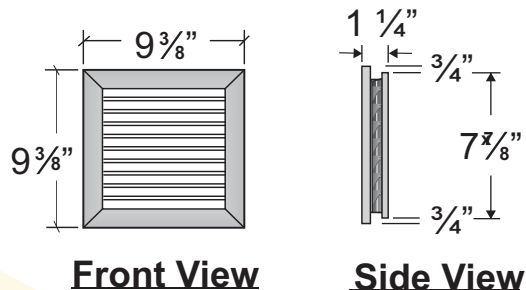
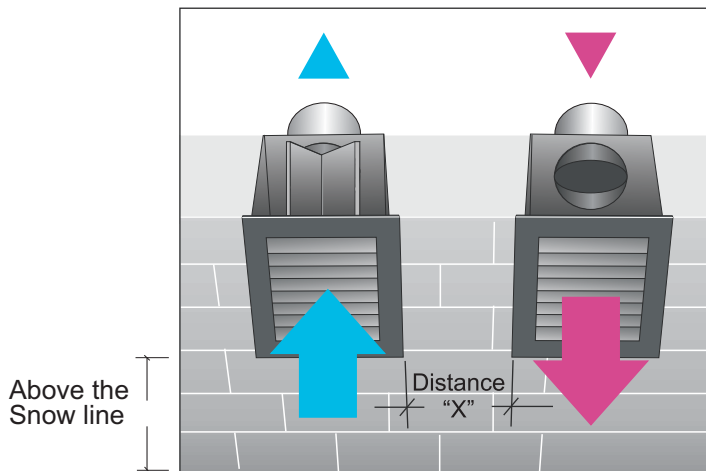


Rt. Side View (Exhaust)

Contractor:		Double Vent (DVG-200)		
Architect:	Job:	Date	Supersedes	Drawing No.
Engineer:	Date Submitted:	01/16/19		

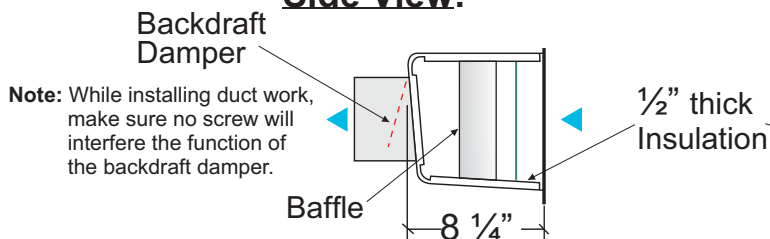
HRV/ERV INTAKE AND EXHAUST VENTS

Exhaust (SVE-50) & Intake (SVI-50) Single Vents c/w extruded aluminum grilles

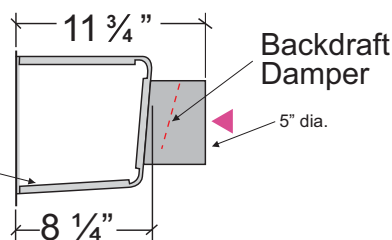


Tested @ 400Pa according to ASTM E547-00 for water penetration test.
Re-circulation Efficiency If distance "X" is 5ft - 97.5% "X" is 3ft - 95% at 100 CFM.
(Tested @ 5-10 mph wind velocity with Reversomatic Extruded Aluminum Grille)

Intake Vent (SVI-50) **Side View:**



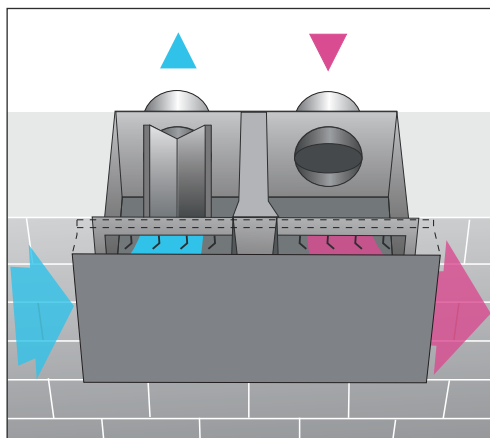
Exhaust Vent (SVE-50)



Contractor:		SVE-50 and SVI-50		
Architect:	Job:	Date	Supersedes	Drawing No.
Engineer:	Date Submitted:	01/16/19		

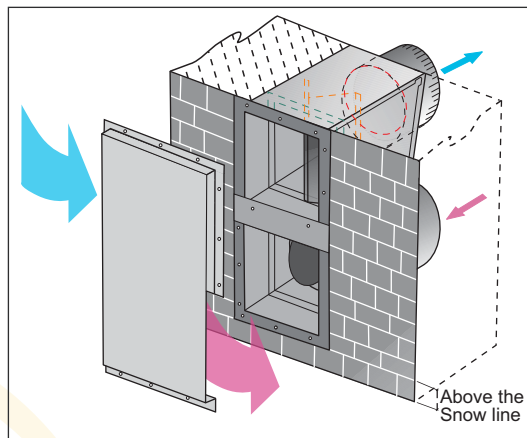
HRV/ERV INTAKE AND EXHAUST VENTS

**Double vent (DVS-100) c/w
Side Exhaust / Intake hood**



Above the
Snow line

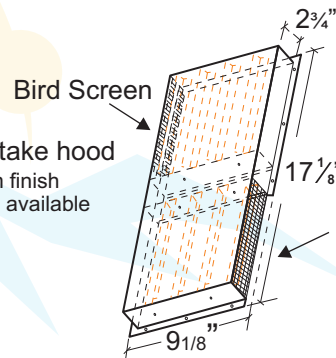
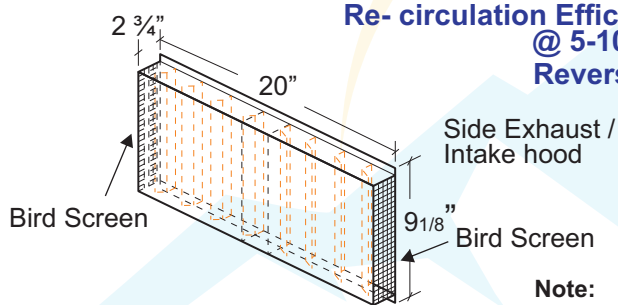
**Double vent (DVV-100) c/w
Vertical Exhaust / Intake hood**



Above the
Snow line

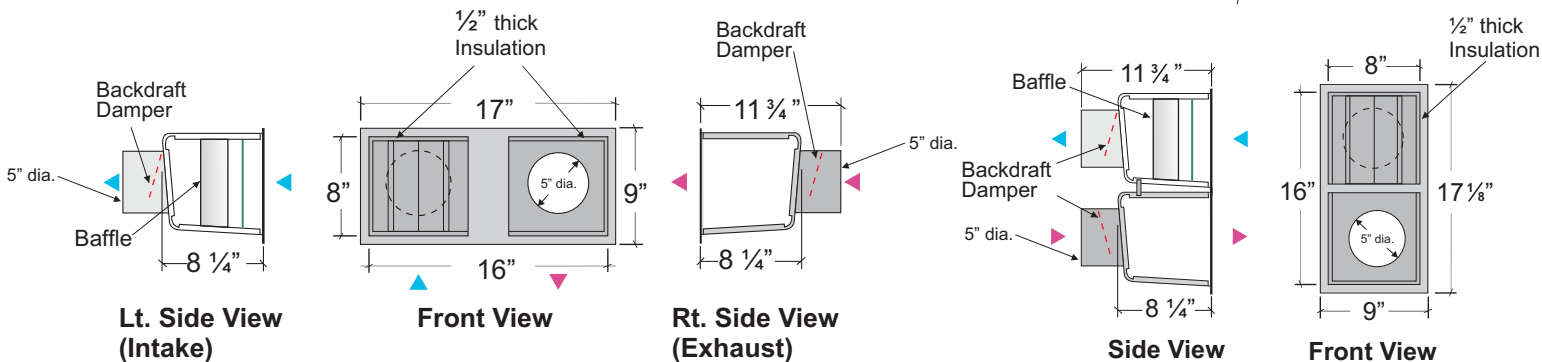
Tested @ 400Pa according to ASTM E547-00 for water penetration test.

**Re-circulation Efficiency - 96.5% at 100 CFM.
@ 5-10 mph wind velocity with
Reversomatic hood as shown.**



Exhaust / Intake hood
Plain Aluminum finish
(Custom colors available
upon request)

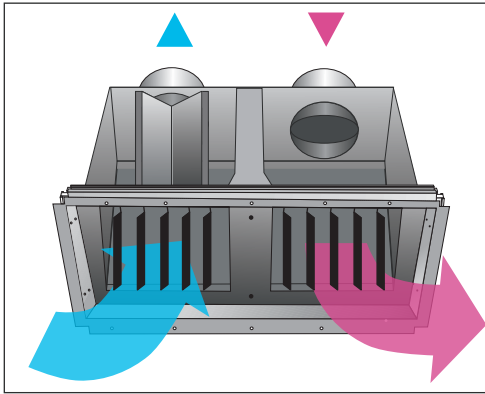
Note:
While installing duct work, make sure no screw
will interfere the function of the backdraft damper.



Note: All Exhaust Vents must be installed min. 5 ft away from sidewalls.

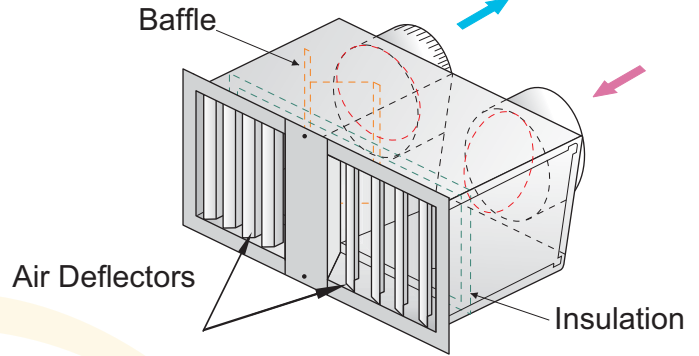
Contractor:		Double Vent (DVS / DVV-100)		
Architect:	Job:	Date	Supersedes	Drawing No.
Engineer:	Date Submitted:	01/16/19		

HRV/ERV INTAKE AND EXHAUST VENTS

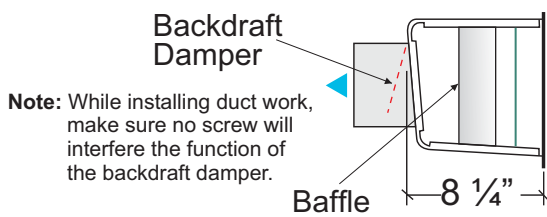
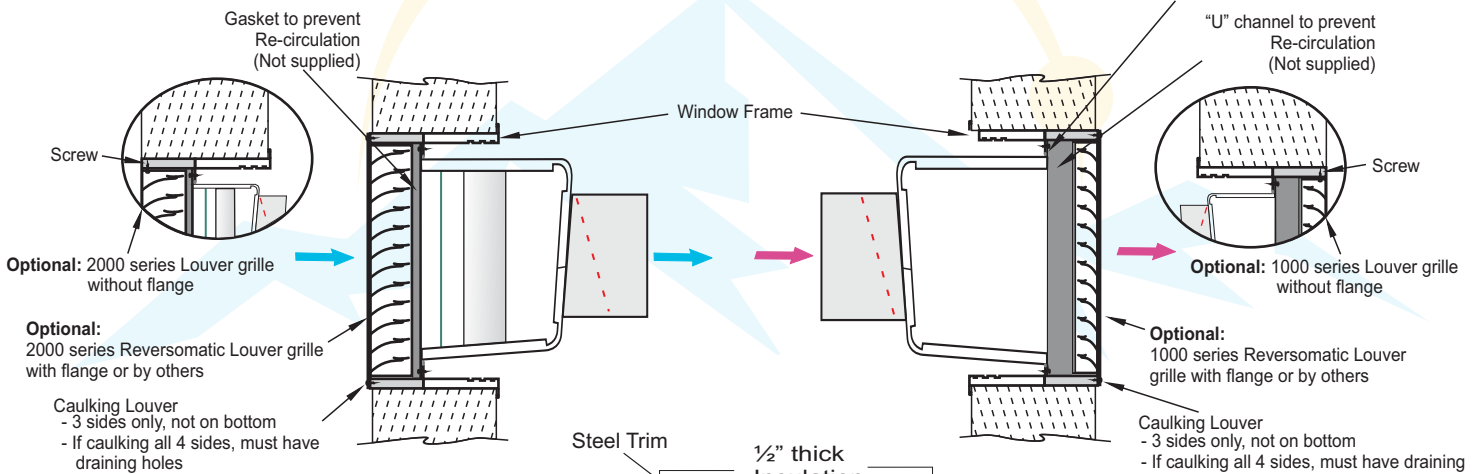


Tested @ 400Pa according to ASTM E547-00 for water penetration test.
Re-circulation Efficiency - 98.5% at 100 CFM.
(Tested with Reversomatic louver grille @ 5-10 mph wind velocity) 50% free area.

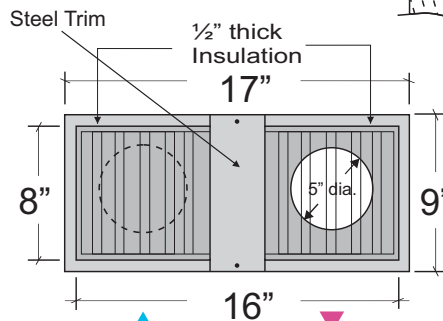
Double Vent (DV-200) For Window Panel



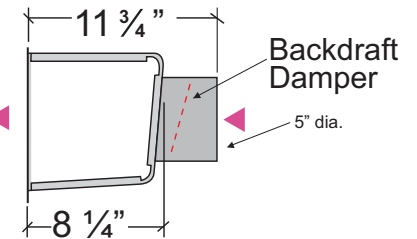
Note: All Exhaust Vents must be installed min. 5 ft away from sidewalls.



**Lt. Side View
(Intake)**



Front View



**Rt. Side View
(Exhaust)**

Contractor:		Double Vent (DV-200)		
Architect:	Job:	Date	Supersedes	Drawing No.
Engineer:	Date Submitted:	01/16/19		