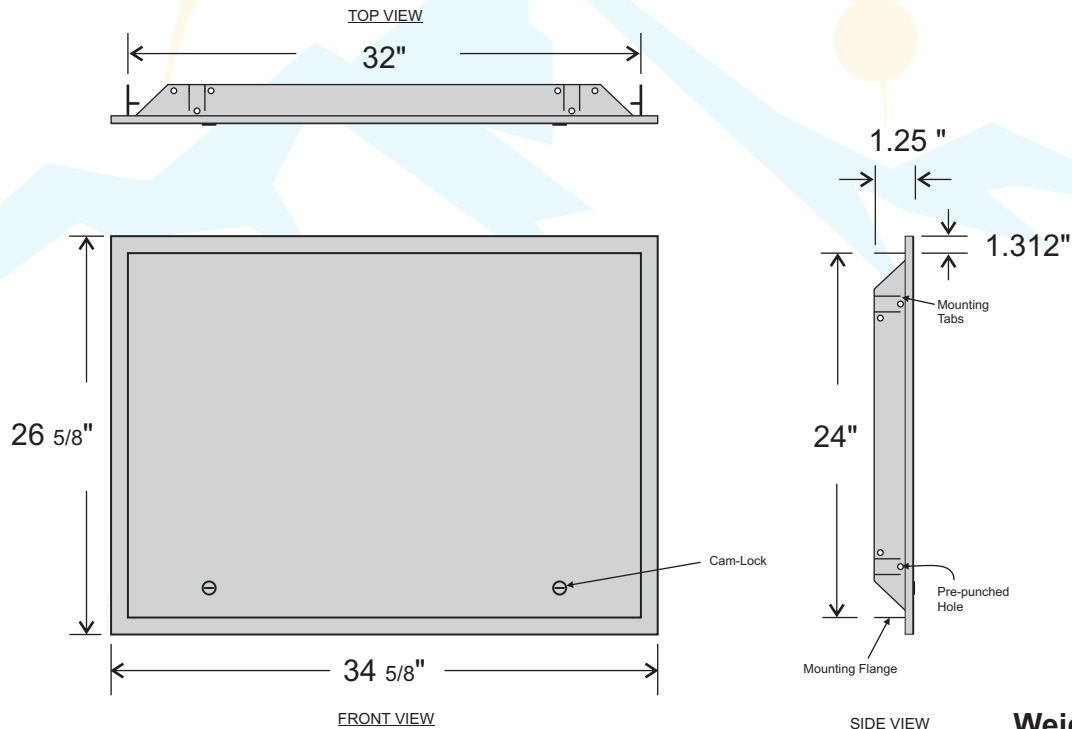


DETACHABLE - ADD 3224

The "ADD 3224" are manufactured from 20 gauge satin coat steel for corrosion resistance and come with a screwdriver operated cam-lock.

Featured with detachable door and designed to install on drywalls, masonry and tiled surfaces. For easy and quick installation bend back all mounting tabs onto drywall or use pre-punched holes to secure the door onto adjacent studs.

Custom Sizes, powder coated finishing and various color options are available upon request.



Weight:
App.10.7 lbs.

Contractor:		ADD 3224		
Architect:	Job:	Date	Supersedes	Drawing No.
Engineer:	Date Submitted:			